

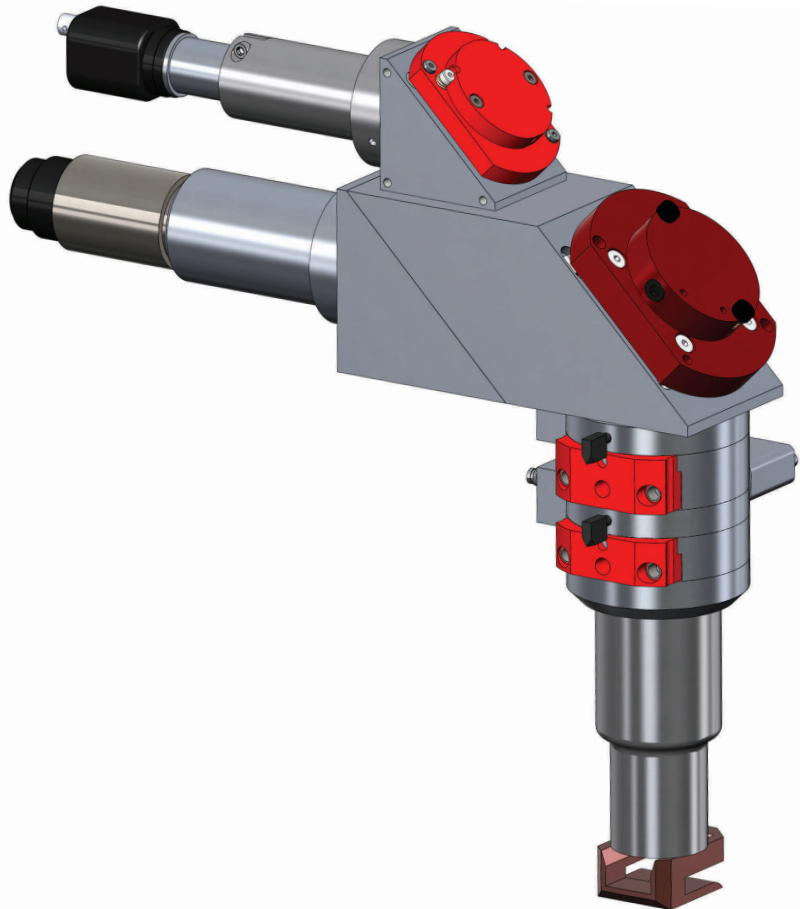
WELDING HEAD Ø1.5" - f250mm - FIBER P/N: 010024

FEATURES

- 1.4"/35mm Clear Aperture
- QBH Collimator
- Through the Lens Viewing
- Built To Suit Application
- Lens Cartridge System
- Orthogonal Mirror Alignment
- Lens Crack Sensor
- Protective Lens
- Cross Jet
- Modular Components
- Aluminum Construction
- Interlocks (Optional)
- Crash Protection Device (Optional)

SPECIFICATIONS

- Lens Diameter: Ø1.5"/38.1mm
- Focal Length: 250mm



American Laser Enterprises, LLC.
PO Box 309
Novi, MI 48376
Phone: 248-449-3714
Fax: 248-449-7631
Email: info@a-l-e.net
Web: a-l-e.net