

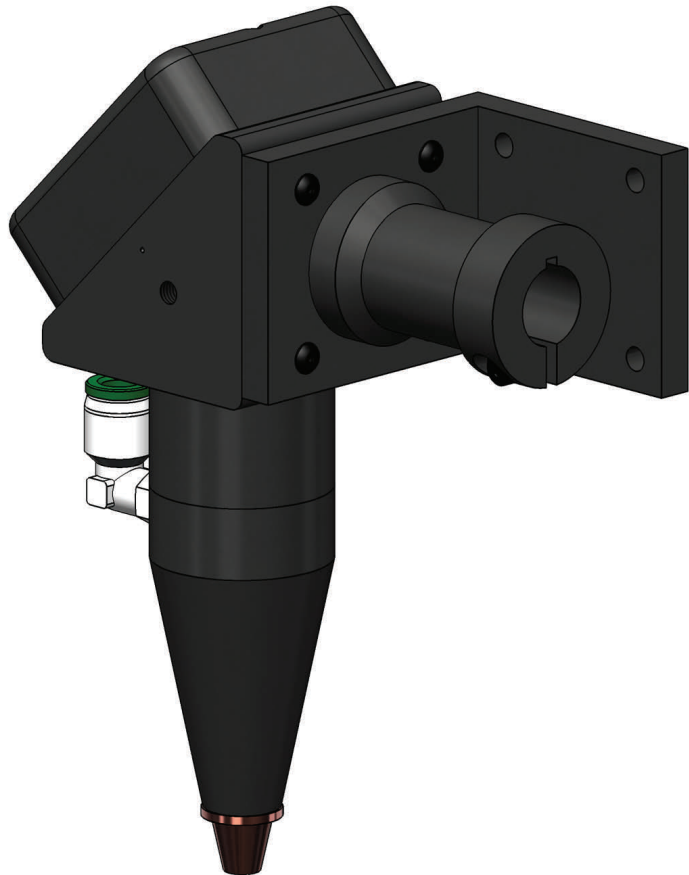
WELDING HEAD Ø1.0" - f100mm - FIBER P/N: 010026

FEATURES

- .75"/19mm Clear Aperture
- 14mm Collimator Adapter
- Thru The Lens Viewing
- Several Focal Lengths Available
- Built To Suit Application
- Orthogonal Mirror Alignment
- Modular Components
- Standard Nozzles
- Mounting Brackets
- Aluminum Construction
- Camera System (Optional)
- Through the Lens Viewing (Optional)
- Interlocks (Optional)

SPECIFICATIONS

- Lens Diameter: Ø1.0"/25.4mm
- Focal Length: 100mm (Others Available)



American Laser Enterprises, LLC.
PO Box 309
Novi, MI 48376
Phone: 248-449-3714
Fax: 248-449-7631
Email: info@a-l-e.net
Web: a-l-e.net