

## CLADDING HEAD - FIBER LASER

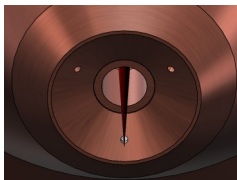
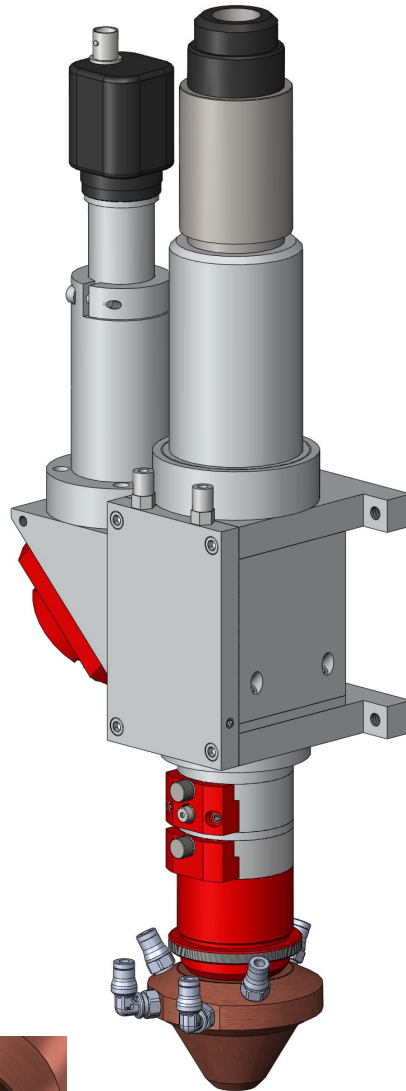
P/N: 010037

### FEATURES

- Fiber Cladding: Up to 4000W
- .75"/19mm Clear Aperture
- Accepts All Fiber Connections
- Vernier Adjustable Focus Control
- CCD Through The Lens Viewing
- Direct Feed Coaxial Cladding
- Lens Cartridge System
- Orthogonal Lens Centering
- Cover Glass Protection
- Water-Cooled Cladding Nozzle
- Coaxial Shield Gas
- Modular Components
- Aluminum & Copper Construction
- No Special Tools Required
- Interlocks (Optional)
- Interlocked Crash Protection (Optional)

### SPECIFICATIONS

- Lens Diameter:  $\varnothing 1.0"/25.4\text{mm}$
- Focal Length: 100mm, Others Available



Close Up of Cladding Nozzle

**American Laser Enterprises, LLC.**  
PO Box 309  
Novi, MI 48376  
Phone: 248-449-3714  
Fax: 248-449-7631  
Email: [info@a-l-e.net](mailto:info@a-l-e.net)  
Web: [a-l-e.net](http://a-l-e.net)

***"A Cut Above The Rest"***