

CUTTING HD Ø1.5" - f7.5"

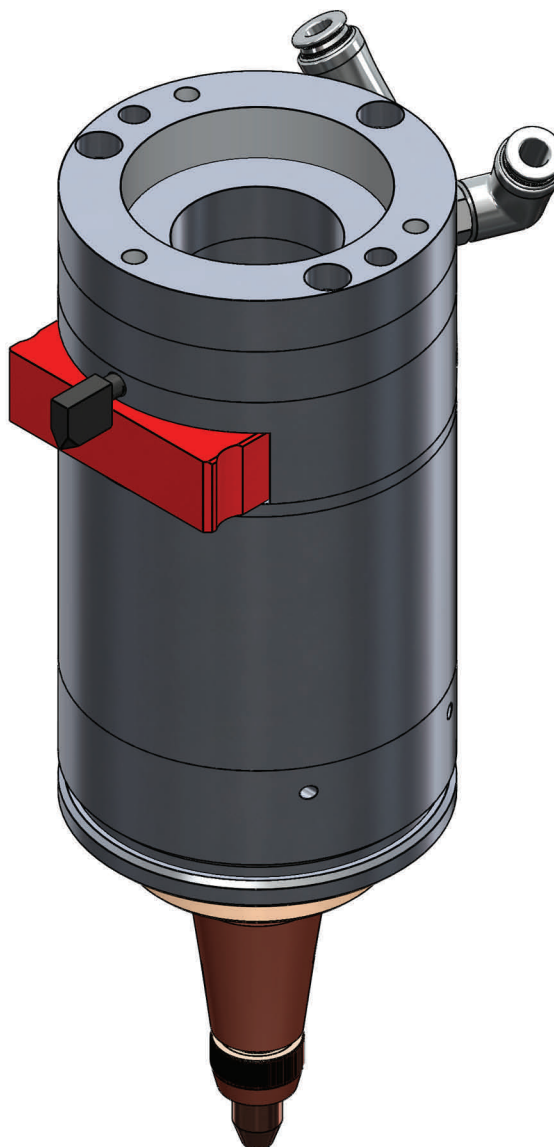
P/N: 020026

FEATURES

- 1.4"/35mm Clear Aperture
- Low Pressure Coaxial Assist Gas
- Vernier Adjustable Focus Control
- Built To Suit Application
- Lens Cartridge System
- Orthogonal Lens Centering
- Indirect Lens Cooling
- Modular Components
- Aluminum Construction
- No Special Tools Required

SPECIFICATIONS

- Lens Diameter: Ø1.5"/38.1mm
- Focal Length: 7.5"
- Assist Gas Port: 1/8 NPT
- Max Assist Gas: 250psi/17bar



American Laser Enterprises, LLC.
PO Box 309
Novi, MI 48376
Phone: 248-449-3714
Fax: 248-449-7631
Email: info@a-l-e.net
Web: a-l-e.net

"A Cut Above The Rest"