

## CLADDING HEAD 120/60 QBH

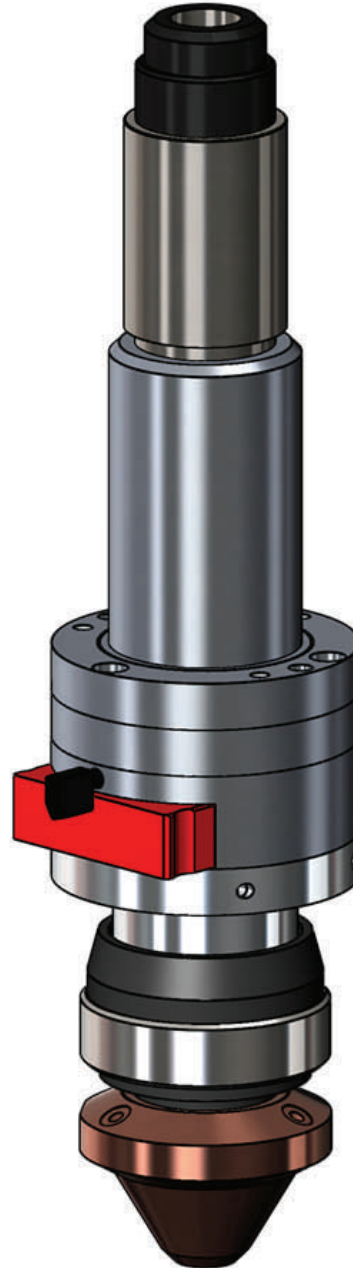
P/N: 020037

### FEATURES

- 1.4"/35mm Clear Aperture
- Vernier Adjustable Focus Control
- Direct Cooled Coaxial Cladding Nozzle
- Indirect Lens Cooling
- Protective Lens (Nozzle)
- Lens Cartridge System
- Orthogonal Lens Centering
- Modular Components
- Aluminum Construction
- No Special Tools Required
- QBH Fiber Collimator for IPG, Trumpf & Rofin-Sinar (Optional)

### SPECIFICATIONS

- Lens Diameter:  $\varnothing 1.5"/38.1\text{mm}$
- Focal Length: **120mm**
- Cooling/Assist Ports: **1/8 NPT/M5**



American Laser Enterprises, LLC.  
PO Box 309  
Novi, MI 48376  
Phone: 248-449-3714  
Fax: 248-449-7631  
Email: [info@a-l-e.net](mailto:info@a-l-e.net)  
Web: [a-l-e.net](http://a-l-e.net)

***"A Cut Above The Rest"***