

CLADDING HEAD 1.0DIA - 4.0FL - IPG

P/N: 020040

FEATURES

- Coaxial Water Cooled Cladding Nozzle
- Cartridge Style Lens Holder
- Water Cooled Main Body
- Adjustable Collimator for IPG QBH/RQB Fiber - Others Available
- Through Lens Viewing System
- Vernier Standoff Control
- Shield Gas Manifold
- Modular Aluminum Construction

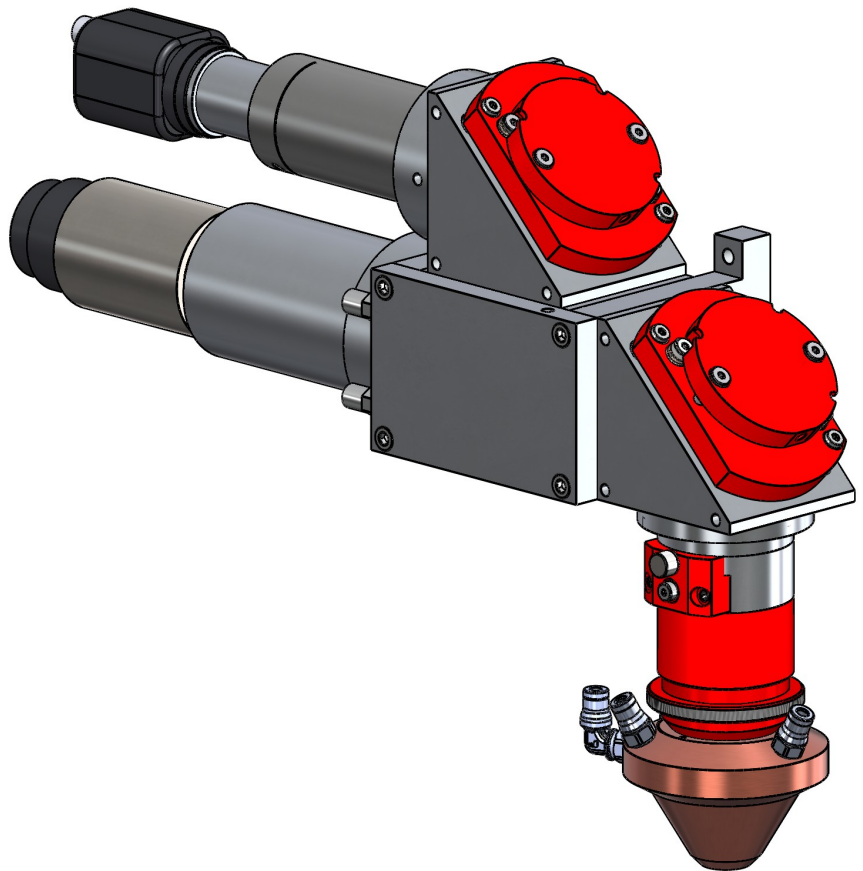
OPTIONS

- Crash Protection Device
- Water Cooled Mirrors
- Water Cooled Lens
- Interlocks
- Other Fiber Connectors
- Other Focal Lengths

SPECIFICATIONS

- Lens Diameter: $\varnothing 1.0"/25.4\text{mm}$
- Focal Length: 100mm

American Laser Enterprises, LLC.
PO Box 309
Novi, MI 48376
Phone: 248-449-3714
Fax: 248-449-7631
Email: info@a-l-e.net
Web: a-l-e.net



“A Cut Above The Rest”