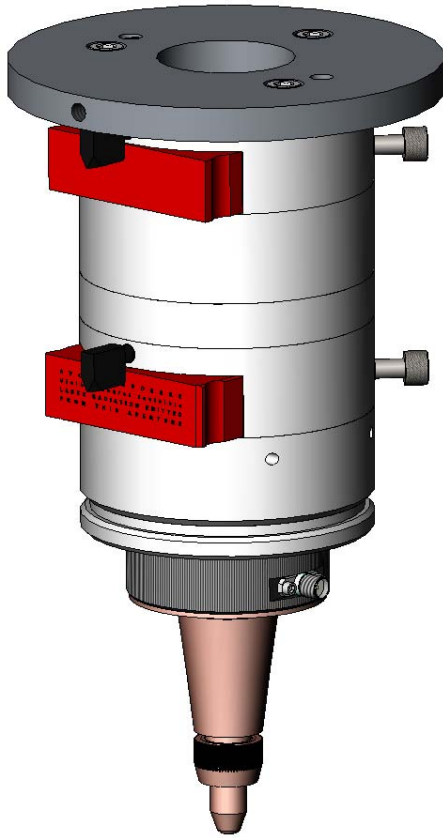


CUTTING HD D1.5 - f5.0/7.5 - STD

FEATURES



- 1.4"/35mm CLEAR APERTURE
- 5.0' & 7.5" FOCAL POSITIONS
- REMOVEABLE LENS CARTRIDGES
- MICROMETER FOCAL ADJUSTMENT
- INDIRECT LENS COOLING
- FINE PITCH (1/4-80) ORTOGONAL LENS CENTERING
- ALUMINUM CONSTRUCTION

SPECIFICATIONS

- PART NUMBER: **030002**
- LENS DIAMETER: **1.5"/38.1mm**
- COOLING/ASSIST GAS PORTS: **1/8 NPT**
- MAX GAS PRESSURE: **290 psi/20 bar**
- WEIGHT: **4.75lbs/2.15 kg**

