

## CUTTING HEAD Ø1.0" - f3.5"

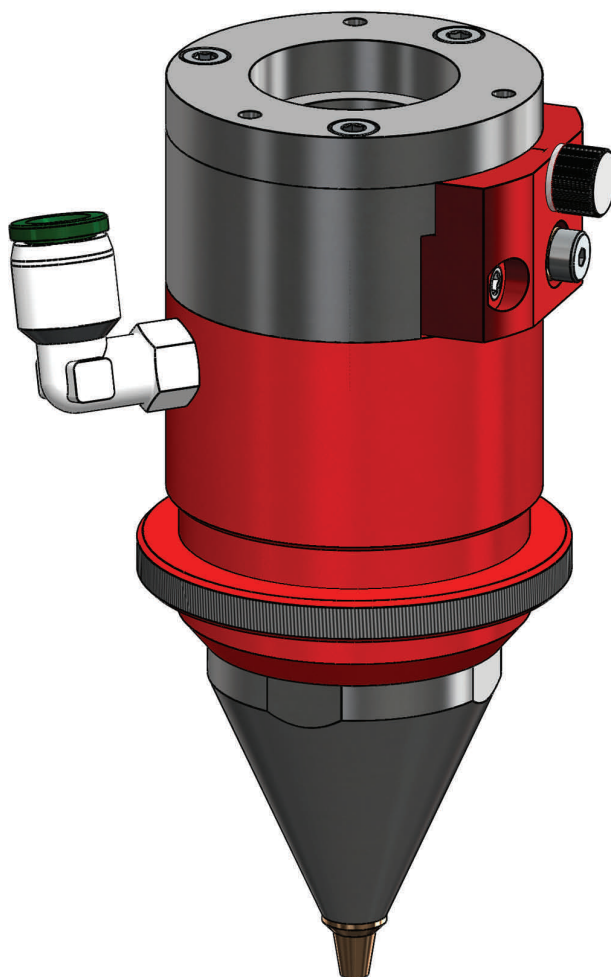
P/N: 030025-3

### FEATURES

- .75"/19mm Clear Aperture
- Vernier Adjustable Focus Control
- Lens Cartridge System
- Orthogonal Lens Centering
- Modular Components
- Aluminum Construction
- No Special Tools Required

### SPECIFICATIONS

- Lens Diameter: Ø1.0"/25.4mm
- Focal Length: 3.5"/88.9mm
- Assist Gas Port: 10-32
- Max Assist Gas: 250psi/17bar



American Laser Enterprises, LLC.  
PO Box 309  
Novi, MI 48376  
Phone: 248-449-3714  
Fax: 248-449-7631  
Email: [info@a-l-e.net](mailto:info@a-l-e.net)  
Web: [a-l-e.net](http://a-l-e.net)

***"A Cut Above The Rest"***