

## CLADDING HEAD - LATERAL FEED

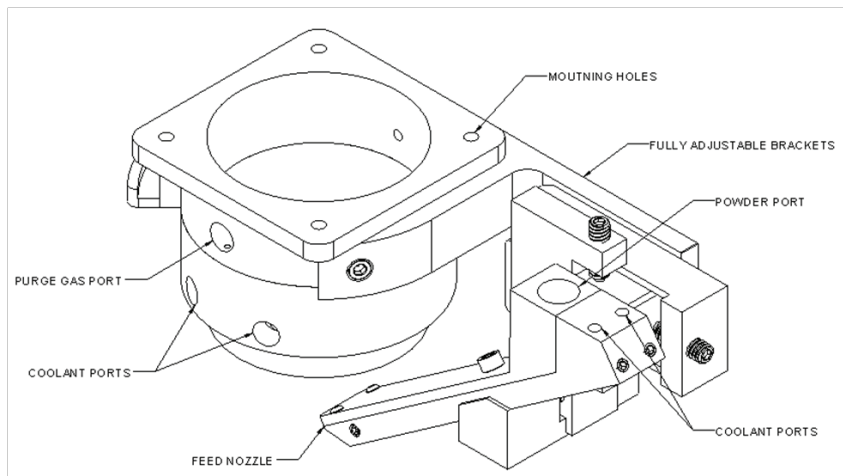
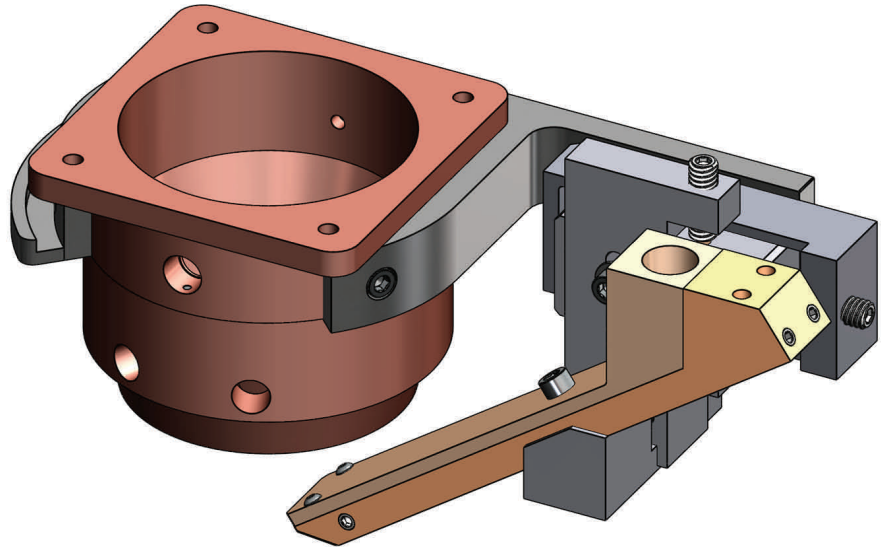
P/N: 030027

### FEATURES

- Multi-Point Cladding
- Fully Adjustable Feeder Bracket
- Lateral Feed Cladding Nozzle
- Water-Cooled
- Aluminum & Copper Construction
- Diode Laser Design  
(Coherent Highlight Series)

### SPECIFICATIONS

- Coolant Ports: 1/8 NPT/10-32
- Powder Port: 1/2 NPT



American Laser Enterprises, LLC.  
PO Box 309  
Novi, MI 48376  
Phone: 248-449-3714  
Fax: 248-449-7631  
Email: [info@a-l-e.net](mailto:info@a-l-e.net)  
Web: [a-l-e.net](http://a-l-e.net)

***"A Cut Above The Rest"***