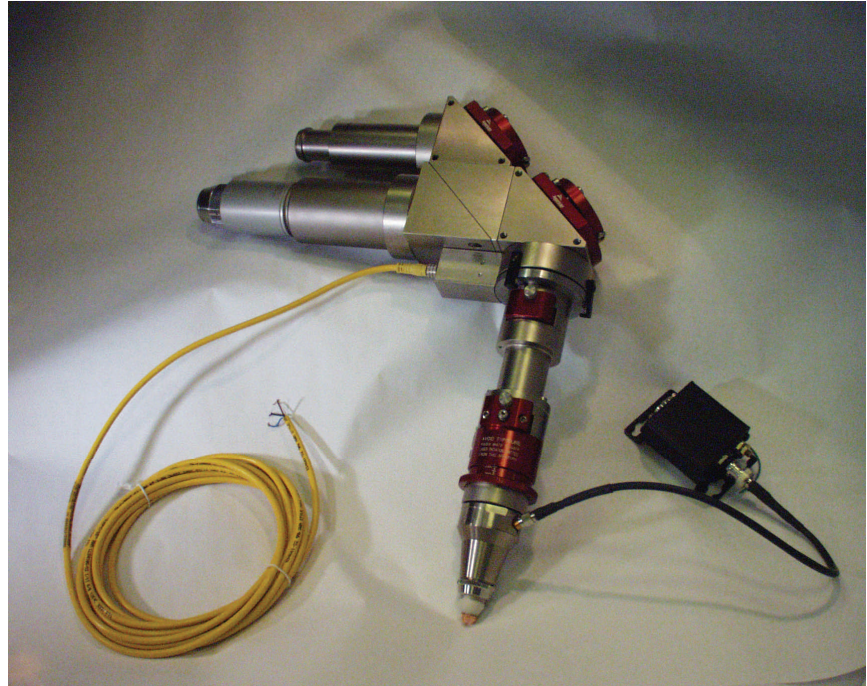


# 90° CUTTING HD w/ THRU LENS VIEWING

P/N: 030058

## FEATURES

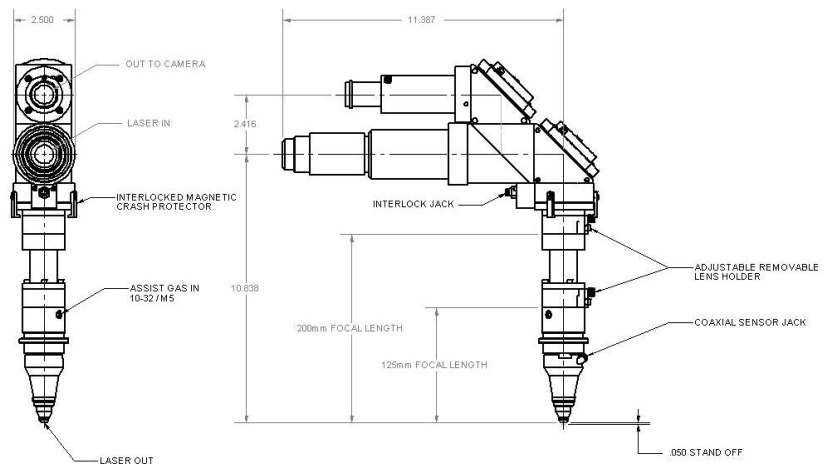
- .75"/19mm Clear Aperture
- Dual Focal Lengths
- QBH 75mm Collimator
- Interlocked Crash Protection
- Vernier Adjustable Focus Control
- CCD Through the Lens Viewing
- Lens Cartridge System
- Orthogonal Lens Centering
- Air-Cooled Height Sensor
- Modular Components
- Aluminum Construction
- No Special Tools Required
- Interlocks (Optional)



## SPECIFICATIONS

- Lens Diameter:  $\varnothing 1.0"/25.4\text{mm}$
- Focal Length: 125, 200mm
- Max Assist Gas: 250psi/17bar

**American Laser Enterprises, LLC.**  
PO Box 309  
Novi, MI 48376  
Phone: 248-449-3714  
Fax: 248-449-7631  
Email: [info@a-l-e.net](mailto:info@a-l-e.net)  
Web: [a-l-e.net](http://a-l-e.net)



***"A Cut Above The Rest"***