

FIBER LASER FINE CUTTING SYSTEM

P/N: 030068

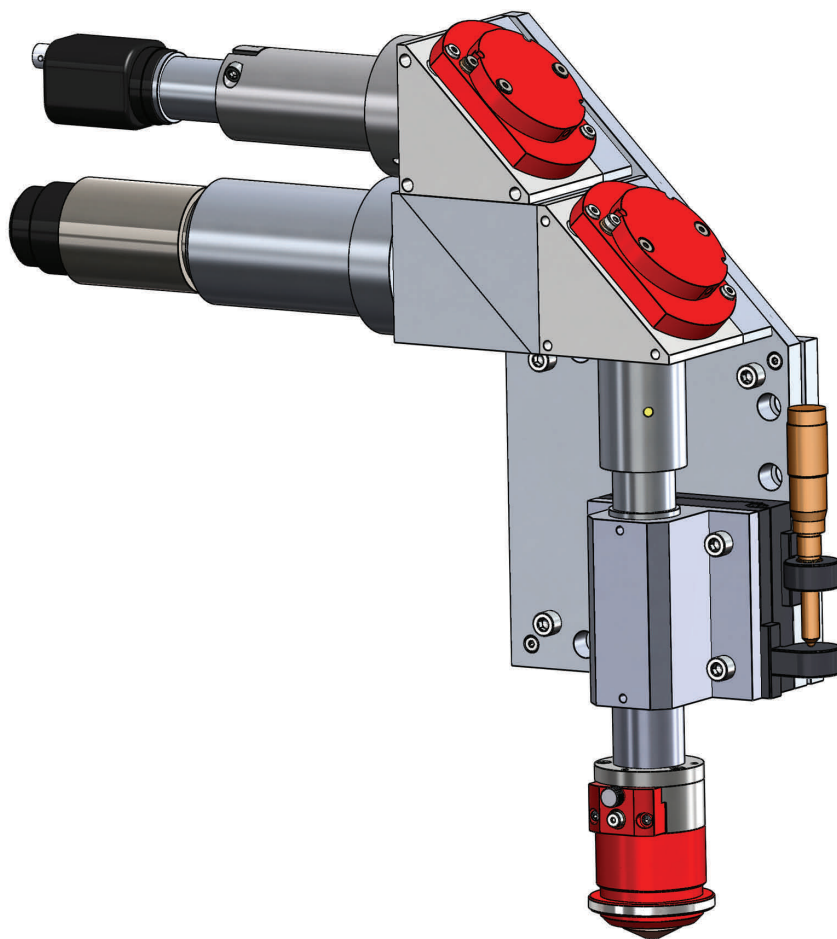
FEATURES

- .75"/19mm Clear Aperture
- 90° Configuration
- Cutting of Thin Sheet Stainless Steel or Cobalt Chrome
- Suitable for use in Medical Applications and Fine Instruments
- Cutting Width of 10 μ m
- Compatible with IPG f53/f50, OH2/OH3 or QBH Collimators (Shown)
- Micrometer Adjustments
- Lens Cartridge System
- Orthogonal Lens Centering
- Aluminum Construction
- No Special Tools Required

SPECIFICATIONS

- Lens Diameter: \varnothing 1.0"/25.4mm
- Focal Length: 50, 80 & 100mm
- Max Assist Gas: 250psi/17bar

American Laser Enterprises, LLC.
PO Box 309
Novi, MI 48376
Phone: 248-449-3714
Fax: 248-449-7631
Email: info@a-l-e.net
Web: a-l-e.net



"A Cut Above The Rest"