

BEAM BENDER Ø3.0" (2.0" CA)

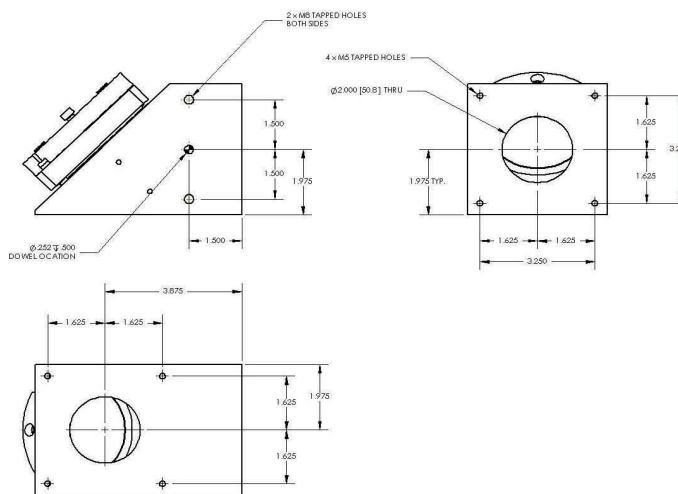
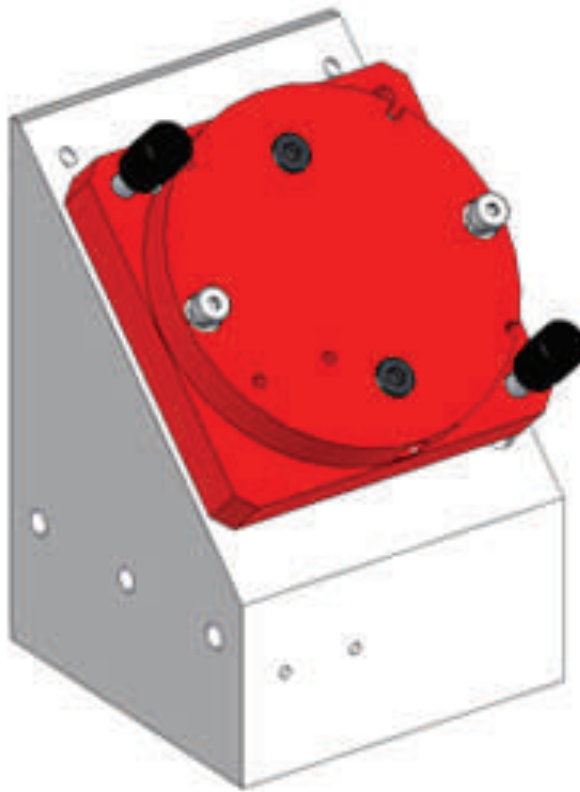
P/N: 080006

FEATURES

- 2.0"/50.8mm Clear Aperture
- Orthogonal Adjustable Mirror $\pm 2^\circ$
- Input, Output & Side Mounting
- Precision Adjustment Screws (Wrench or Thumb Style)
- Indirect Mirror Cooling
- Easy Mirror Replacement
- Aluminum Construction
- Optional Interlock Kit

SPECIFICATIONS

- Mirror Diameter: $\text{Ø}3.0"$
- Cooling Ports: $1/8 \text{ NPT}$
- Weight: $7.23 \text{ lbs}/3.28 \text{ kg}$



American Laser Enterprises, LLC.
PO Box 309
Novi, MI 48376
Phone: 248-449-3714
Fax: 248-449-7631
Email: info@a-l-e.net
Web: a-l-e.net

"A Cut Above The Rest"