

‘Z’ LASER CUTTING HEAD Ø1.0”

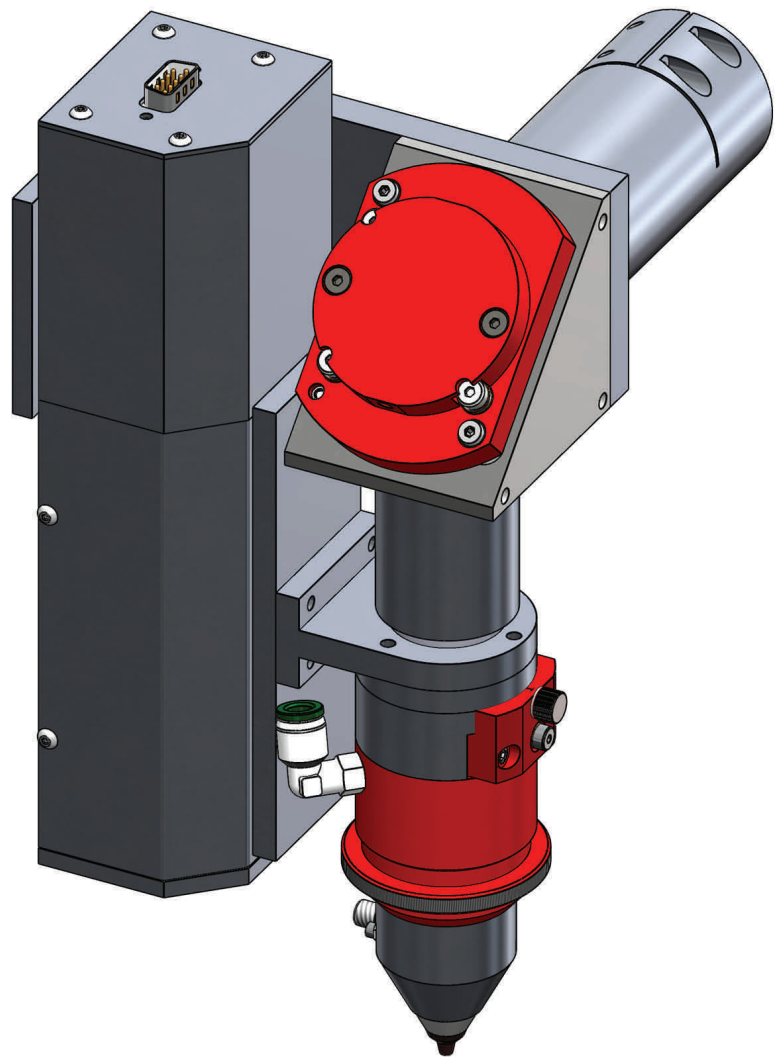
P/N: 080177

FEATURES

- .75”/19mm Clear Aperture
- Modular Z-Axis Drive
- Non-Contact Sensor Control
- Designed for CO₂ or Fiber Lasers
- Vernier Adjustable Focus Control
- Lens Cartridge System
- Orthogonal Lens Centering
- Indirect Water-Cooling
- Modular Components
- Aluminum Construction
- No Special Tools Required
- Interlocks (Optional)

SPECIFICATIONS

- Lens Diameter: Ø1.0”/25.4mm
- Focal Length: 100, 125 & 150mm
- Assist Gas Port: 10-32



American Laser Enterprises, LLC.
PO Box 309
Novi, MI 48376
Phone: 248-449-3714
Fax: 248-449-7631
Email: info@a-l-e.net
Web: a-l-e.net

“A Cut Above The Rest”