

REFLECTIVE COLLIMATOR

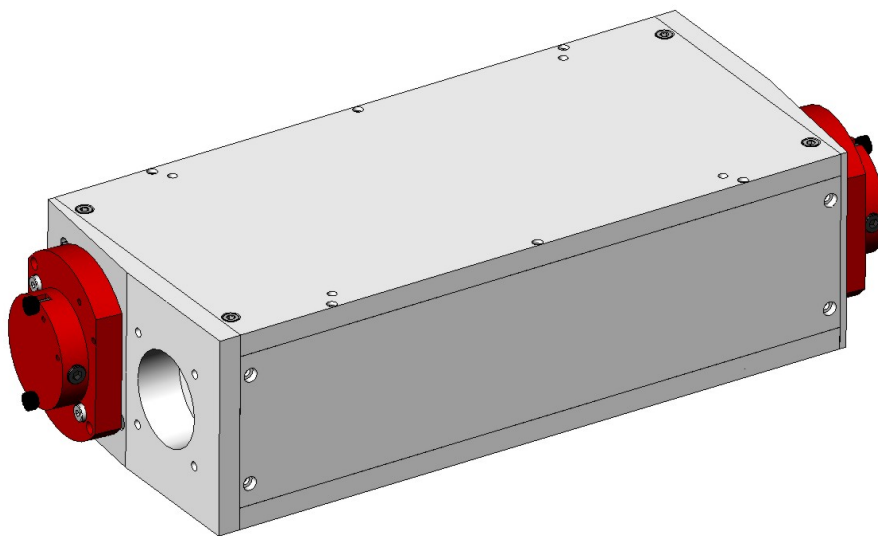
P/N: 200150

FEATURES

- 1.75"/45mm Clear Aperture
- Up/Down Collimation
- Reflective Beam Expansion 1.6x
- Sealed Design
- Indirect Mirror Cooling
- Orthogonal Adjustable Mirrors $\pm 2^\circ$
- Easy Mirror Replacement
- Aluminum Construction
- Input/Output Adapters Available
- Interlocks (Optional)

SPECIFICATIONS

- Mirror Diameter: $\varnothing 2.0"/50.8\text{mm}$
- Cooling Ports: 1/8 NPT
- Weight: 17.5lbs



American Laser Enterprises, LLC.
PO Box 309
Novi, MI 48376
Phone: 248-449-3714
Fax: 248-449-7631
Email: info@a-l-e.net
Web: a-l-e.net

"A Cut Above The Rest"