

CUT QUALITY ENHANCER Ø3.0" (2.0" CA)

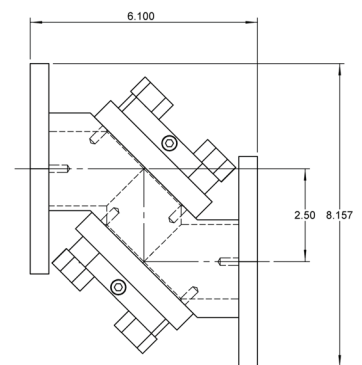
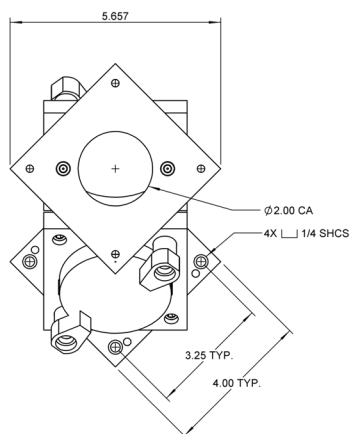
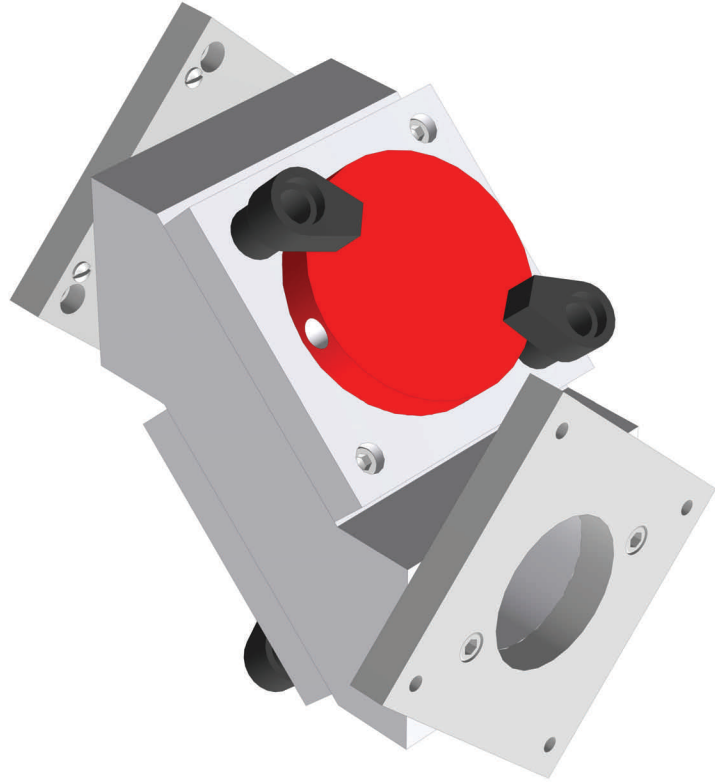
P/N: 200198

FEATURES

- 2.0"/50.8mm Clear Aperture
- Linear to Circular Polarization
- Indirect Mirror Cooling
- Easy Mirror Replacement
- Mounts Directly to Laser
- No Alignment Needed
- Aluminum Construction
- Standard & Custom Mounting
- 75mm Mirrors Available

SPECIFICATIONS

- Mirror Diameter: Ø3.0"
- Cooling Ports: 1/8 NPT
- Weight: 6.8lbs./3.0kg



American Laser Enterprises, LLC.
PO Box 309
Novi, MI 48376
Phone: 248-449-3714
Fax: 248-449-7631
Email: info@a-l-e.net
Web: a-l-e.net

"A Cut Above The Rest"