

## COLLIMATOR 2x

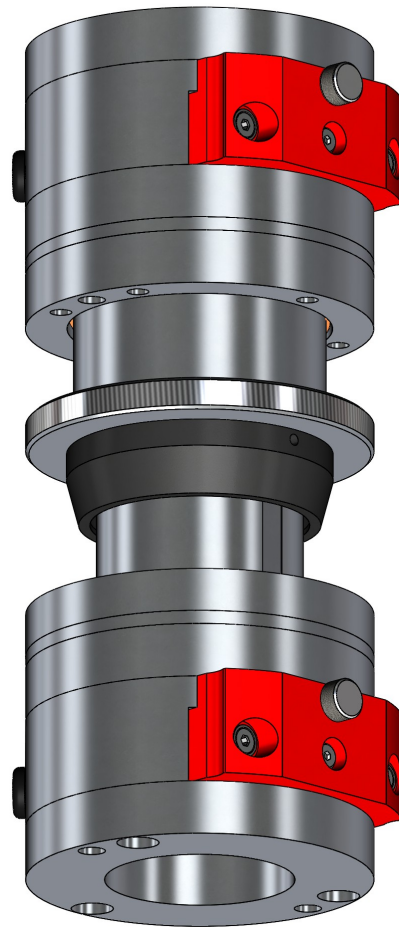
P/N: 200208

### FEATURES

- 2x Beam Expander
- Transmissive Beam Expansion
- No Internal Rotation of Optics
- Lens Cartridge System
- Vernier Adjustable Lens Offset
- Modular Components
- Aluminum Construction

### SPECIFICATIONS

- Lens Diameter In:  $\varnothing 1.1$ "/27.9mm
- Clear Aperture In:  $\varnothing 1.0$ "/25.4mm
- Lens Diameter Out:  $\varnothing 2.0$ "/50.8mm
- Clear Aperture Out:  $\varnothing 1.75$ "/44.5mm



American Laser Enterprises, LLC.  
PO Box 309  
Novi, MI 48376  
Phone: 248-449-3714  
Fax: 248-449-7631  
Email: [info@a-l-e.net](mailto:info@a-l-e.net)  
Web: [a-l-e.net](http://a-l-e.net)

***"A Cut Above The Rest"***