

## POWER ATTENUATED WELDING HEAD

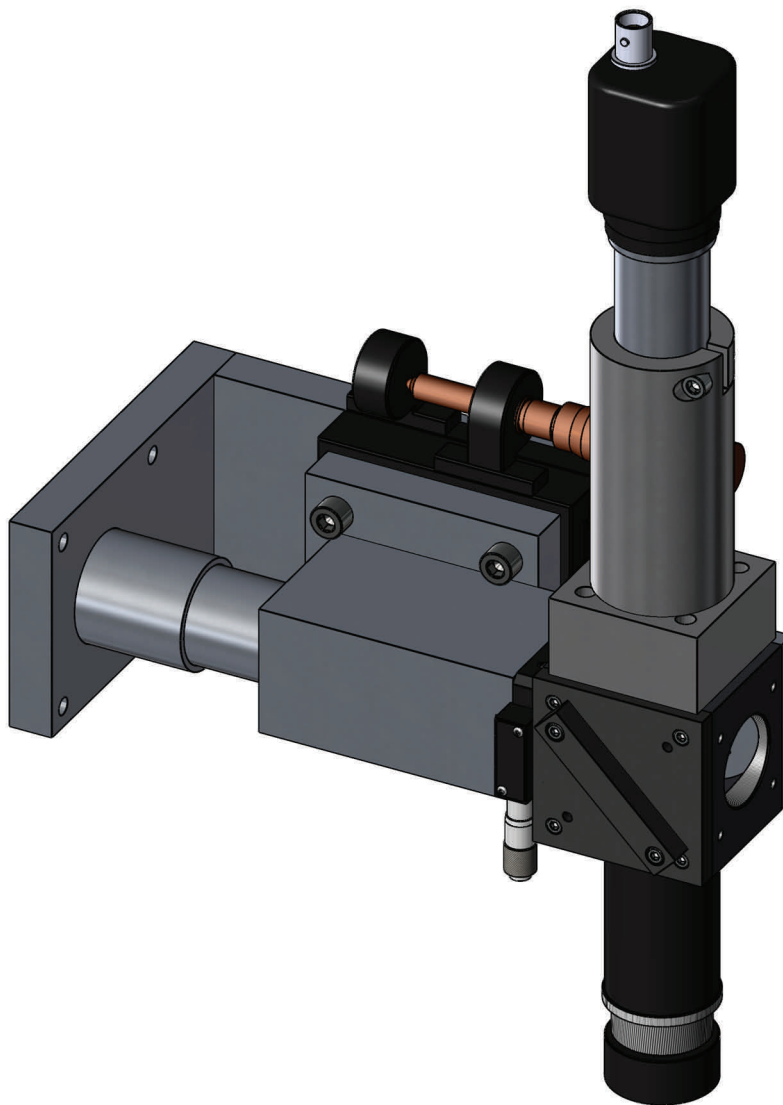
P/N: 990011

### FEATURES

- .875"/22mm Clear Aperture
- Lens Viewing
- Built to Suit Application
- Focal Length: Application Specific
- Aluminum Construction
- No Special Tools Required
- Power Meter (Optional)

### SPECIFICATIONS

- Lens Diameter:  $\varnothing 1.0"/25.4\text{mm}$



American Laser Enterprises, LLC.  
PO Box 309  
Novi, MI 48376  
Phone: 248-449-3714  
Fax: 248-449-7631  
Email: [info@a-l-e.net](mailto:info@a-l-e.net)  
Web: [a-l-e.net](http://a-l-e.net)

*"A Cut Above The Rest"*